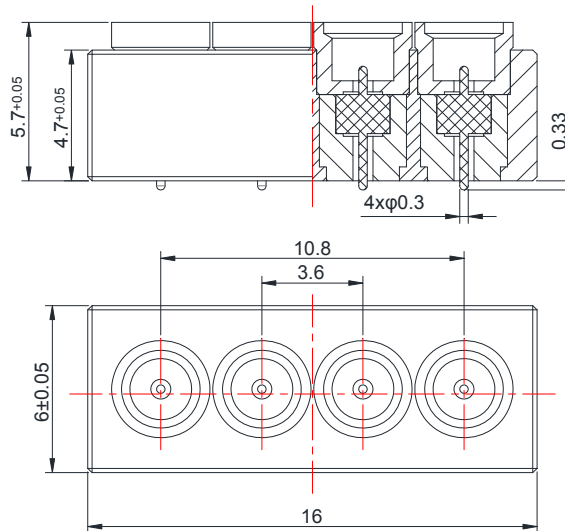


**GPPO(MALE) FOR PCB
4 POSITION BOARD CONNECTOR**
GPPO-J4MD

Our 4 Position Board Connector is a multicoax solution for high speed and density application. It is a excellent solution for bench-top and system testing. With GPPO (mini-SMP) ports, it can mate with other GPPO (mini-SMP) cable assembly and can be tested easily. It is a small form factor and has outstanding electrical characteristics . The frequency ranges from DC to 40GHz.



Electrical Specifications

Connector Type	GPPO(Mini-SMP)
Connector Gender	Male (Smooth Bore)
Impedance	50 Ω
Frequency	DC to 40 GHz
Insertion Loss (dB)	≤ 0.1 xSqt.(f_GHz)

Materials Information

Outer Contact	Brass gold plated
Housing	Brass gold plated
Dielectric	Glass Bead

Environmental Data

Temperature range	-55°C to +165°C
2002/95/EC(RoHS)	Compliant

While the information has been carefully compiled to the best of our knowledge, nothing is intended as representation or warranty on our part and no statement herein shall be construed as recommendation to infringe existing patents. In the effort to improve our products, we reserve the right to make changes judged to be necessary.